

Walk-in Bath 31" x 51" Soaking Tub, Air Spa And Whirlpool

3151.200.SXX Soaking Tub

- Gel coat with fiberglass reinforcement.
- Free standing metal support frame with five adjustable leveling feet
- Easy access door system
- Contoured, built-in seat
- Built-in grab bar and textured bottom
- Faucet / accessory deck areas
- Color match cable driven drain assembly

3151.200.WXX Whirlpool system

- On/Off Control
- 1 HP Pump
- 13 massage jets

3151.200.AXX Air Spa system

- On/Off Control
- 1 HP blower
- Multiple seat and floor air injectors

3151.200.CXX Combo system

- Combines Whirlpool And Air Spa System



To Be Specified – Required:

- Drain Configuration: Left (L) Or Right (R)
- Color: White (W) Or Linen (L)
- Faucet

Nominal Dimensions: 31" x 50 1/2" x 37 1/2" (Optional tub extender available to fit in standard 60" openings)

Compliance Certifications

- ETL – INTERTEK SEMKO
- IAPMO - USPC
- ANSI Z 124.1.2 –for Plastic Bathtubs
- ASME A112.19.7 – Whirlpool Appliances
- ASME A112.19.15 –for Walk-in Bathtubs
- CSA B-45.5 – Canadian Plumbing Fixtures

* NOTE: The whirlpool heater is designed to maintain water temperature during operation. It will not heat cold water to desired bathing temperature.

SEE REVERSE FOR ROUGHING –IN
DIMENSIONS AND PRODUCT SPECIFICATIONS



**31" x 51" Walk-In
Soaking Tub, Air Spa And Whirlpool
High Gloss**

NOTES:

TUB IS SUPPORTED BY THE FRAME AND FIVE INTEGRATED ADJUSTABLE FEET, NO ADDITIONAL SUPPORT IS REQUIRED.

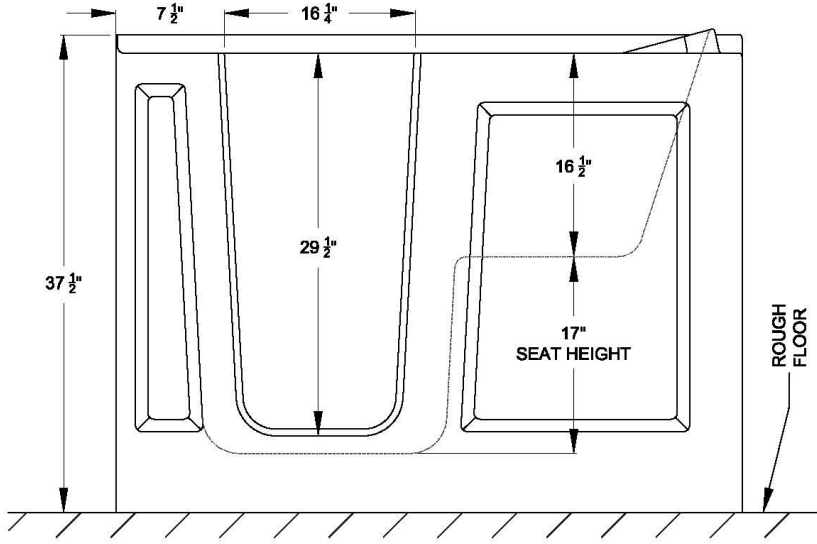
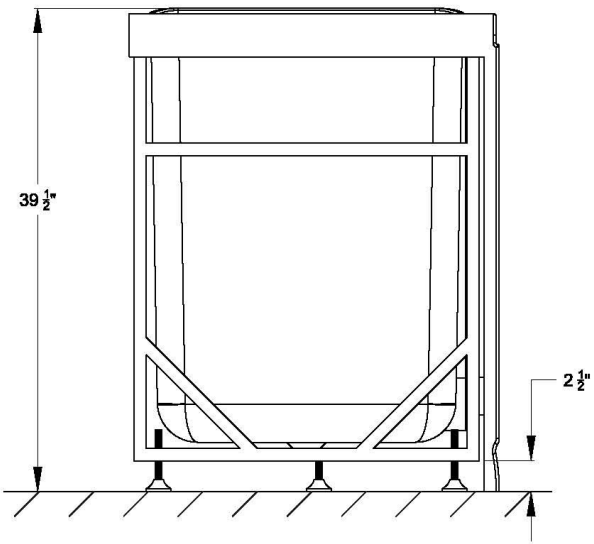
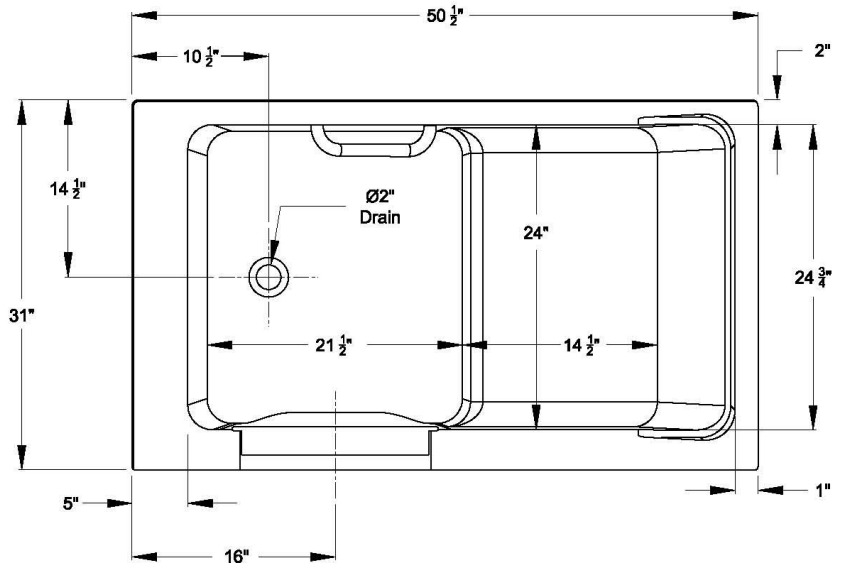
REFER TO INSTALLATION INSTRUCTIONS SUPPLIED WITH TUB FOR ADDITIONAL INFORMATION.

FAUCETS NOT INCLUDED AND MUST BE ORDERED SEPARATELY.

PROVIDE SUITABLE REINFORCEMENT TO SUB FLOOR FOR ALL SUPPORTS.

IMPORTANT:

Dimensions of fixtures are nominal, may vary and are subject to change or cancellation. No responsibility is assumed for use of superseded or voided leaflet



GENERAL SPECIFICATIONS FOR 3151.200.XXX WALK IN BATH TUB	
INSTALLED SIZE	50.5 x 31 x 37.5 In. (1283 x 787 x 953 mm)
WEIGHT	150 Lbs. (68 kg)
WEIGHT w/ WATER	525 Lbs. (238 kg)
OPERATING GAL.	55 Gal. (208 L.)
FLOOR LOADING (PROJECTED AREA)	49 Lbs/Sq. Ft (240 Kgs/Sq. m.)
CUBE (FT ³)	33.4